



**FRONTIER**  
OIL CORPORATION

# Frontier Refinery Inc.

Kevin Burke  
V.P. and Refinery Manager  
8/31/10



# Frontier Refining Inc.

- Subsidiary of Frontier Oil Corporation out of Houston.
- Frontier Oil Corp. is a Refining and Wholesale marketing company
  - 187,000 bbl/day refining capacity
    - 52,000 bbl/day in Cheyenne, WY
    - 135,000 bbl/day in El Dorado, KS
  - Markets served
    - Rocky Mountain region
    - Plains states
  - Products Marketed
    - Diesel
    - Gasoline
    - Asphalt
    - LPG's



- Two Refineries
  - Cheyenne, WY 52,000 bbls/day
  - El Dorado, KS 135,000 bbls/day



FRONTIER  
OIL CORPORATION

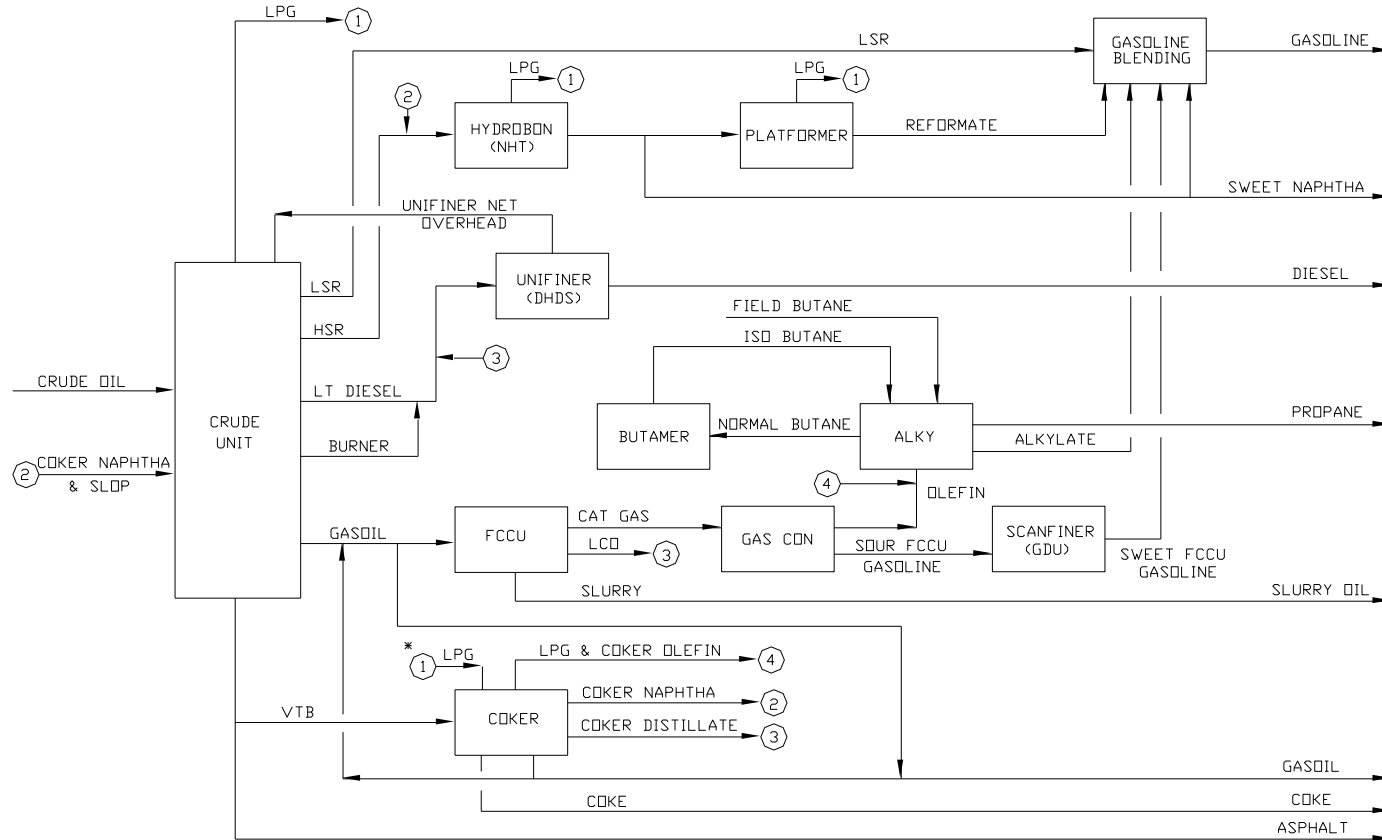
# Cheyenne Operations

- Single train refinery
- Crude supply
  - Local producers via truck at the refinery
  - Pipeline from Guernsey (domestics and Canadian)
- Operating Philosophy – FLEXIBILITY
  - High Conversion Refinery
  - 85% heavy to 100% light sweet
  - 10-100 tons of sulfur production
  - Continually looking to optimize our crude slate
    - Looking for more economic crudes
      - Niche Crudes
      - Challenged Crudes
  - Always open for new opportunities



FRONTIER  
OIL CORPORATION

# Refinery Processing Units





FRONTIER  
OIL CORPORATION

# Products and Markets Served

- Gasoline and Diesel to Denver via pipeline
- Diesel to some of the Local mines via truck
- Diesel and Gasoline off our local truck rack
- Diesel and Gasoline to Nebraska via pipeline
- Asphalt for local road projects
- Propane for local sales
- Coke for power generation via rail
- Sulfur for fertilizer production via rail



**FRONTIER**  
OIL CORPORATION

Questions?